



**CONCEALED BATHROOM SYSTEMS**



## **A reputation for high quality and design. Plus all the benefits of the Pegler Yorkshire Group.**

From timeless classic to minimalist contemporary, Francis Pegler is a name long respected for cutting-edge collections of designer bathroom taps, mixers and showers. The introduction of pre-wall installation systems to this portfolio is a natural and welcome progression – particularly as the renowned Pegler Yorkshire group ethos for unsurpassed quality, reliability and whole-life value for money is inherent in every Francis Pegler product.

## **Stylish new opportunities in bathroom design.**

The Francis Pegler range of pre-wall installation systems offers a solution to meet every type of bathroom construction – solid walls, plasterboard and prefabricated – and eliminates all the constraints of floor-standing sanitaryware, thus greatly enhancing perceptions of spaciousness, style, harmony and functional efficiency. The choice of mounting frame modules and flush plates satisfies every conceivable need.

## **Quick and easy to fit.**

Another very significant benefit of this innovative aspect of bathroom design and creation is simple and fast installation.

## **Proven quality - and a 10 year warranty.**

Francis Pegler pre-wall installation systems are precision made from the finest materials (all fully recyclable) and designed and manufactured to ensure a long working life. Hence the reassurance of a comprehensive 10-year warranty.

## **The very best in customer service.**

Francis Pegler's reputation has been built on quality through and through – including the promise to customers to consistently deliver first-class service, in line with the Pegler Yorkshire Customer Charter.



Wide range of designer flush plates

Wide range of height varieties

Adjustable fixing centres

Fast and easy to install

Polystyrene filler between the cistern and the console to eliminate condensation

# WC INSTALLATION SYSTEMS

Francis Pegler modular mounting frames for toilet systems come in a variety of sizes, with height-adjustable telescopic legs. This ensures compatibility with the majority of leading makes and styles of toilet sanitaryware.

Other very important practical benefits include a hygienic, quiet and efficient water-saving dual-flush system, featuring a water saving 4/2.6 litre flush as standard, which can easily be adjusted to 5.5/3 litre. The system also features a long-life reliable operation, even where limescale is present, with easy and fast installation and the Francis Pegler peace-of-mind 10-year warranty.



# WC INSTALLATION SYSTEMS

## ONE-PIECE CISTERN

- 100% pressure control of every component.
- Long life-span.
- Resistant to temperature changes.

## ACCESSORIES

- Elegant flush plates designed by renowned designer Barbora Skorpilova.
- Wide range of accessories and spare parts.

## FLUSH VALVE

- Quiet, fast and precise.
- The construction is designed to ensure long term functioning, even in the presence of lime scale.

## POLYSTYRENE FILLER ENCASTING THE CISTERN

- Protects against condensation.
- Improves sound reduction.

## FRAME

- Easy to install for one person.

## ISOLATION VALVE

- Isolation valve for ease of maintenance.

## INSTALLATION SHROUD

- Easy to cut around along the grooves.
- Covers the opening of the module during installation and thus prevents any debris from falling into the cistern.
- Ensures appropriate fitting.

## FLUSH PLATE FITTING

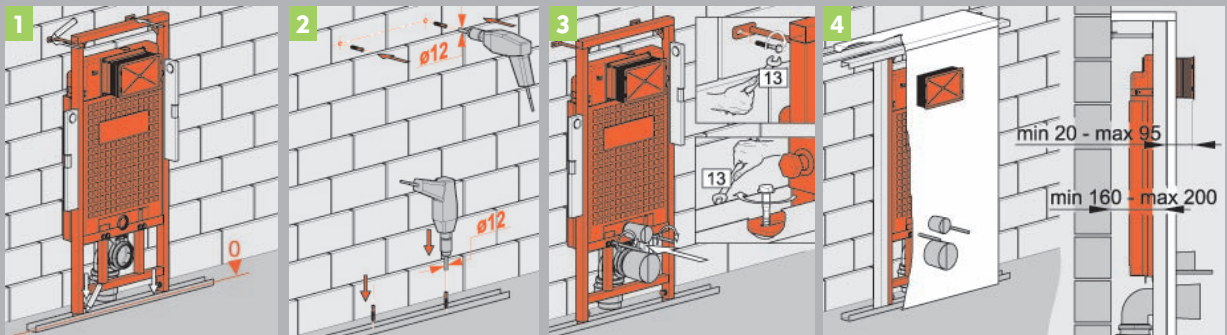
- Easy and fast to dismantle.
- Cistern easy to access without the use of tools.

## ADJUSTABLE FLUSH

- Cistern is pre-set for 4/2.6 litre dual flush.
- Sliding mechanism adjusts instantly to 5.5/3 litre dual flush. (Assessible before and after installation).



## INSTALLATION



1. Position and level the frame, mark the holes

2. Remove the frame, drill holes into the wall, place dowels.

3. Get the frame into the final position and fix it to the wall with screws.

4. Connect to in/out water pipes, put on blind covers and fix the WC.

# WC INSTALLATION SYSTEMS



All WC frames are tested to a load of 400Kg



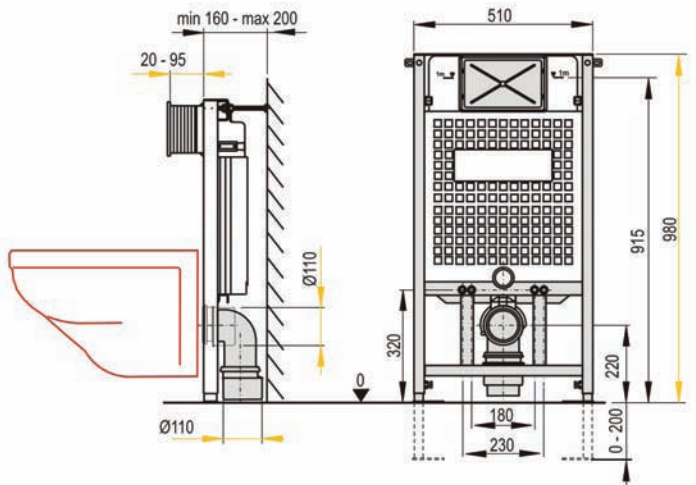
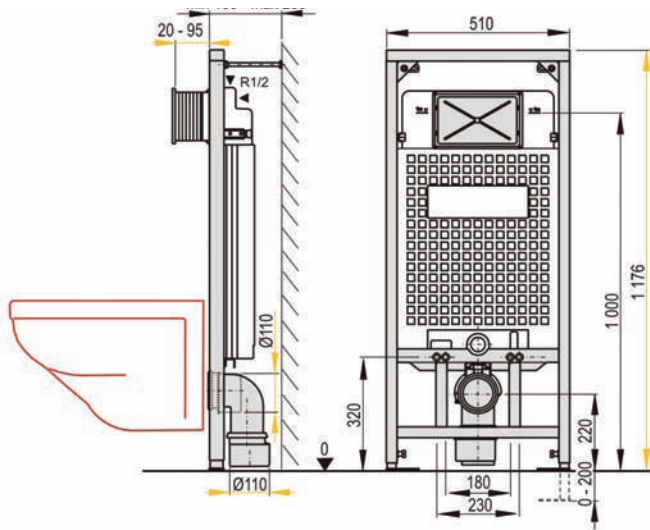
**WC FRAME WITH CISTERN  
4P9007**  
1176x510mm



**WC FRAME WITH CISTERN  
4P9008**  
980x510mm

180mm or 230mm  
fixing centres

Height adjustable  
feet (0-200mm)



Wide range  
of designer  
flush plates for  
domestic and  
commercial  
applications

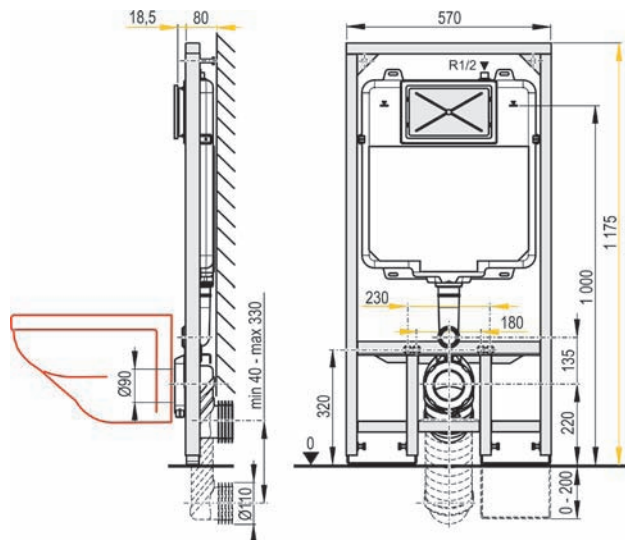
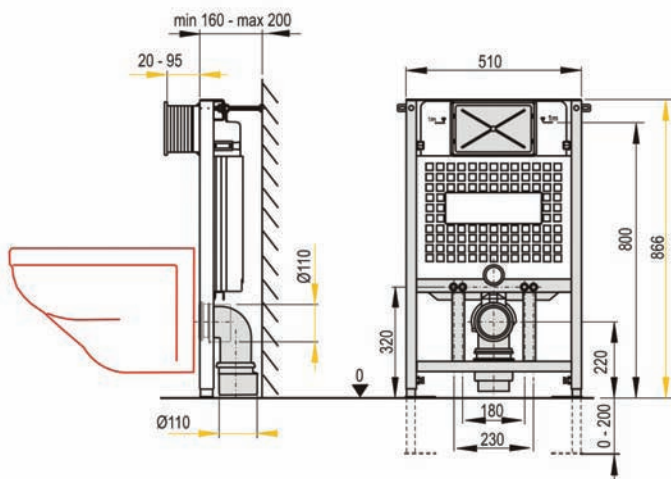


**WC FRAME WITH CISTERN  
4P9009**  
866x510mm



**AVAILABLE  
JULY 2011**

**WC SLIMFRAME  
4P9011**  
1175x570mm



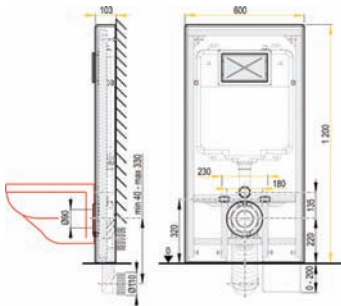
The thickness of the module is only 8cm. Using the telescopic legs on the frame it is possible to adjust the height of the toilet by 200mm. Flush volume adjustable from 2.6 litre to 9 litre.

# WC INSTALLATION ACCESSORIES

AVAILABLE  
JULY 2011



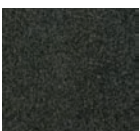
**SLIMFRAME COMPOSITE RESIN COVER**  
(see below for colours and codes)  
1200x600mm



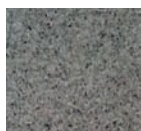
Sometimes, during refurbishment but also when building new toilets and bathrooms there are situations when it is not possible to incorporate a standard pre-wall installation system. For such situations, we have developed SLIMFRAME.

This solution requires a minimum amount of building preparation and offers the possibility of using an existing drain outlet.

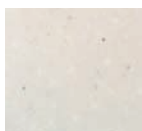
## SLIMFRAME COLOURS



**BLACK**  
4P9014



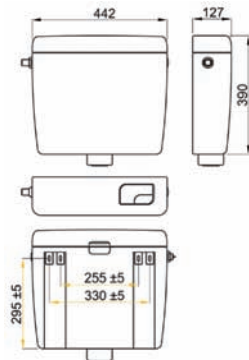
**GREY**  
4P9013



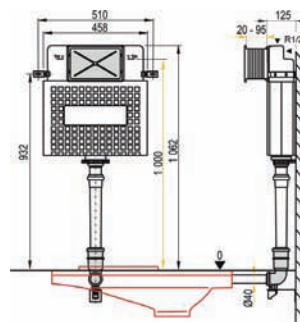
**CREAM**  
4P9012



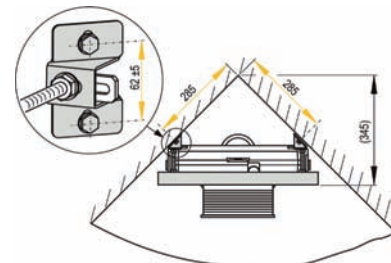
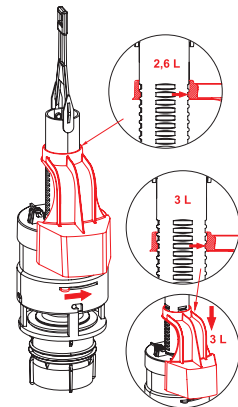
**UNIVERSAL CISTERN 4P9070**  
442x127mm  
(For furniture installation)



**CONCEALED CISTERN 4P9010**  
1062x458mm  
(For BTW installations)



**DUAL FLUSH VALVE**



**ADAPTERS FOR CORNER INSTALLATIONS 4P9061**

(Corner brackets are suitable for use with all WC, basin, bidet and urinal frames)



# FLUSH PLATES

The Francis Pegler range of flush plates features elegant styling and functionality.

Aesthetically, the flush plate is very important to the concealed installation concept because it is the only item of the system that is visible in the finished bathroom.

So selecting the correct type is a crucial element in the overall design.

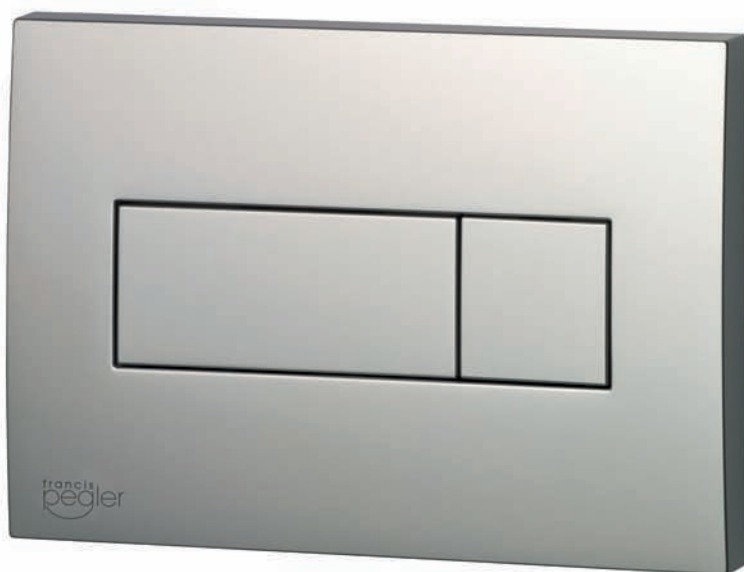
The Francis Pegler range includes a selection of attractive finishes such as white, matt chrome and polished chrome. In addition, for public toilet areas, an anti-vandal version is available, as well as a pneumatic button single flush for restricted mobility use.

The flush plate also serves a vital secondary function in the bathroom – giving access to the cistern for maintenance.



# FLUSH PLATES

## WC INSTALLATION SYSTEMS



**KUBIX FLUSH PLATE**  
**4P9058**  
CHROME (MATT)



**KUBIX FLUSH PLATE**  
**4P9057**  
CHROME (POLISHED)



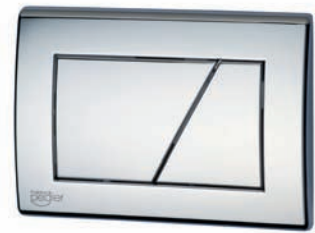
**DREAM FLUSH PLATE**  
**4P9056**  
CHROME (MATT)



**DREAM FLUSH PLATE**  
**4P9055**  
CHROME (POLISHED)



**SWISH FLUSH PLATE**  
**4P9054**  
CHROME (MATT)



**SWISH FLUSH PLATE**  
**4P9053**  
CHROME (POLISHED)



**OPAL FLUSH PLATE**  
**4P9051**  
CHROME (POLISHED)



**OPAL FLUSH PLATE**  
**4P9052**  
WHITE



**PNEUMATIC BUTTON**  
**4P9059**  
CHROME (POLISHED)

### Delayed pneumatic single flush

Operation is compatible with all the standard Francis Pegler WC frames, concealed and universal cisterns. It is for use with toilets for customers with restricted mobility or where it is essential to place the flushing mechanism away from the WC tank. The distance between the control and the tank should not exceed 3m. Also for use with the Universal cistern (4P9070) in furniture installations.



**ANTIVANDAL FLUSH PLATE**  
**4P9069**  
STAINLESS STEEL

Metal flush plate with a surface treatment suitable for public areas with a high level of use. This ensures high resistance against vandalism and mechanical damage.

# BASIN & BIDET MOUNTING FRAMES

Francis Pegler pre-wall installation systems naturally embrace modular mounting frames for wash basins and bidets, compatible with many makes and styles. As with toilets, installation is simple and fast.

In addition, mounting frames are available for public urinal installations.



# BASIN INSTALLATION SYSTEMS



All Basin frames are tested to a load of 150Kg



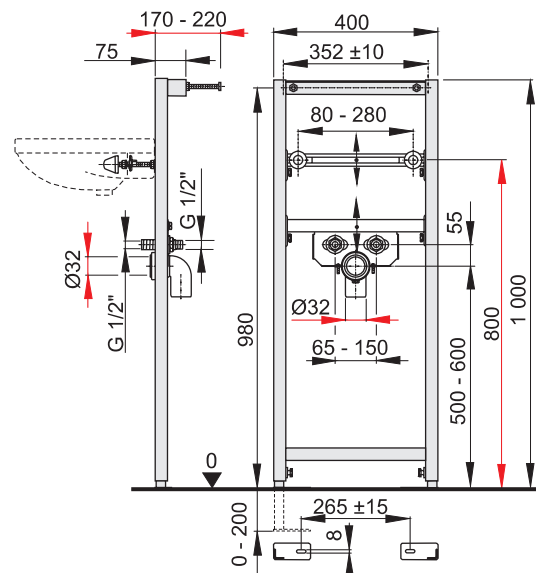
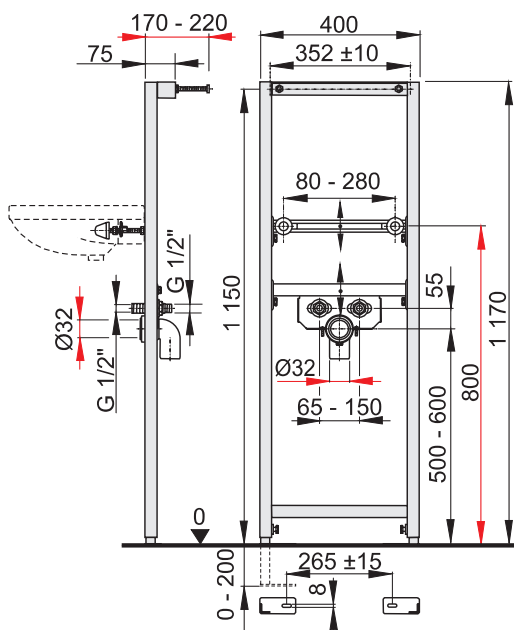
**WASH-BASIN INSTALLATION FRAME 4P9001**  
1170x400mm



**WASH-BASIN INSTALLATION FRAME 4P9002**  
1000x400mm

Adjustable inlet centres  
Adjustable supports to suit all basins

Height adjustable feet (0-200mm)



# BIDET INSTALLATION SYSTEMS

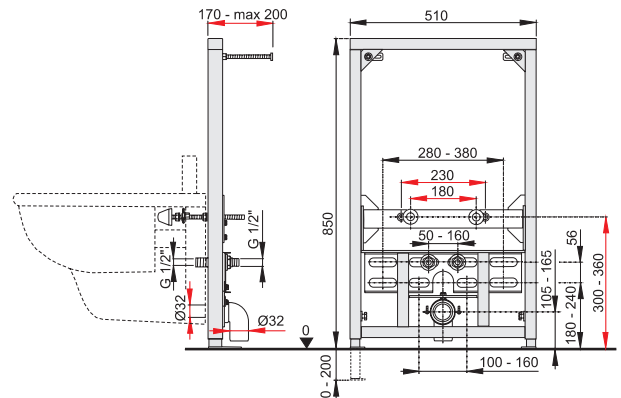
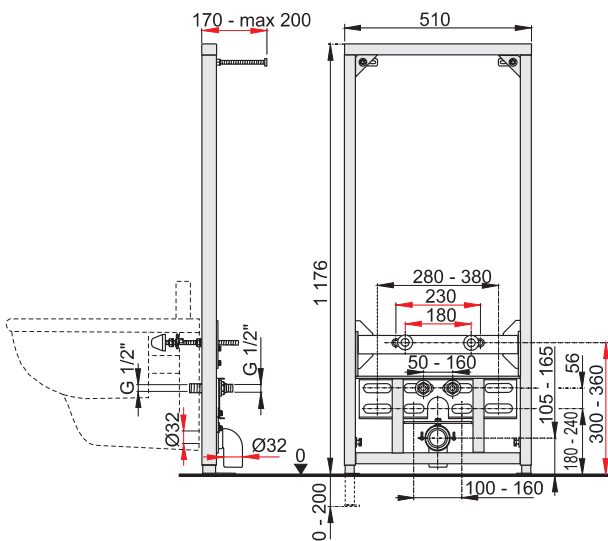


All Bidet frames are tested to a load of 400Kg



**BIDET INSTALLATION FRAME 4P9003**  
1176x510mm

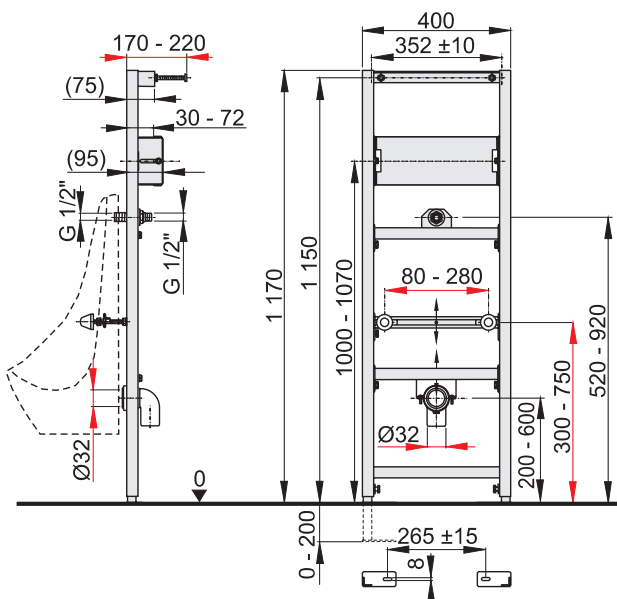
**BIDET INSTALLATION FRAME 4P9004**  
850x510mm



# URINAL INSTALLATION SYSTEMS & ACCESSORIES



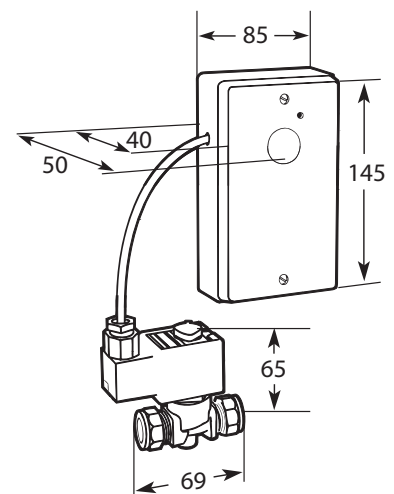
**URINAL INSTALLATION FRAME  
4P9005**  
1170x400mm



**OPTIFLUSH OP1  
URINAL FLUSH CONTROLLER**  
9 Volts DC  
599001



**OPTIFLUSH OP2  
URINAL FLUSH CONTROLLER**  
230 Volts AC  
599002



## OPTIFLUSH

- Reduces water usage by as much as 80%.
- Battery or mains operated.
- Suitable from 0.05 bar to 12 bar.
- Flushes automatically every 12 hours.
- Easy installation.



For further information,  
please contact your appropriate  
sales office or visit our website

[www.pegleryorkshire.co.uk](http://www.pegleryorkshire.co.uk)

**UK ENQUIRIES**

Switchboard:  
Tel: 0844 243 44 00  
Fax: 0844 243 98 70

**HOME SALES**

Tel: 0800 156 00 10  
Fax: 0808 156 10 11  
Email: [uk.sales@pegleryorkshire.co.uk](mailto:uk.sales@pegleryorkshire.co.uk)

**BROCHURE HOTLINE**

Tel: 0800 156 00 20  
Fax: 0808 156 10 11

**TECHNICAL HELPLINE**

Tel: 0800 156 00 50  
Fax: 0808 156 10 12

**EXPORT**

Tel: +44(0) 1302 855 656  
Fax: +44(0) 1302 730 513  
Email: [export@pegler.yorkshire.co.uk](mailto:export@pegler.yorkshire.co.uk)

Registered in England  
Company No. 00401507

**REGISTERED OFFICE**

Pegler Yorkshire Group Ltd  
Haigh Park Road, Stourton  
Leeds, West Yorkshire  
LS10 1RT  
England



Pegler Yorkshire Group Ltd  
St Catherine's Avenue, Doncaster  
South Yorkshire DN4 8DF

Tel: 0844 243 44 00  
Fax: 0844 243 98 70

Maintaining a policy of continual product development Pegler Yorkshire Group Ltd reserves the right to change specifications, design and materials of products listed in this brochure without prior notice. Product colours in this brochure are as close as the printing process allows.

Lit ref: 880103 04.11